



US006042720A

# United States Patent [19]

[11] Patent Number: **6,042,720**

Reber et al.

[45] Date of Patent: **Mar. 28, 2000**

[54] **APPARATUS FOR STORING AND DISINFECTING A FLUID**

8-117742 5/1996 Japan .  
97/06108 2/1997 WIPO .

[75] Inventors: **William L Reber**, Schaumburg, Ill.;  
**Cary D. Perttunen**, Shelby Township,  
Mich.; **Michael K. Stenstrom**, Los  
Angeles, Calif.

### OTHER PUBLICATIONS

New Products, Outdoor Photographer, vol. 12 No. 7, Sep. 1996.

[73] Assignee: **Motorola, Inc.**, Schaumburg, Ill.

Ultrapure Data Sheets Nos. 1 to 3, 1/93, Scoresby Victoria, Australia (No Date).

[21] Appl. No.: **08/770,754**

WaterReview, Technical Briefs, "Treating the Water We Drink, When and Where We Drink It.," <http://www.wqa.org/WQIS/Treating-the-Water.html> (pp. 1-5).

[22] Filed: **Dec. 19, 1996**

WaterReview, Technical Briefs, "Improving the Quality of Water Through Disinfection.," <http://www.wqa.org/WQIS/Improve-WQ-Disinfect.html> (pp. 1-4).

[51] **Int. Cl.**<sup>7</sup> ..... **C02F 1/32**

[52] **U.S. Cl.** ..... **210/85**; 210/243; 210/748;  
422/22; 422/24; 340/540; 340/600

[58] **Field of Search** ..... 210/243, 85, 244,  
210/416.3, 748; 250/373, 372; 422/22,  
24; 340/540, 600

James, Ron, "Ultra-Violet Light: Sterilizer, Clarifier or Both?," <http://www.koiousa.com/ultravio.htm> (pp. 1-2).

### [56] References Cited

*Primary Examiner*—W. L. Walker

*Assistant Examiner*—Marianne S. Ocampo

*Attorney, Agent, or Firm*—James E. Gauger

#### U.S. PATENT DOCUMENTS

3,858,048	12/1974	Shand et al. .	
4,296,328	10/1981	Regan .	
4,471,225	9/1984	Hillman .....	250/436
4,755,292	7/1988	Merriam .....	210/192
4,762,613	8/1988	Snowball .....	210/192
5,106,495	4/1992	Hughes .....	210/139
5,389,254	2/1995	Sherman .....	210/257.2
5,443,733	8/1995	Mueller et al. ....	210/651
5,536,395	7/1996	Kuennen et al. ....	210/87
5,628,895	5/1997	Zucholl .....	210/85

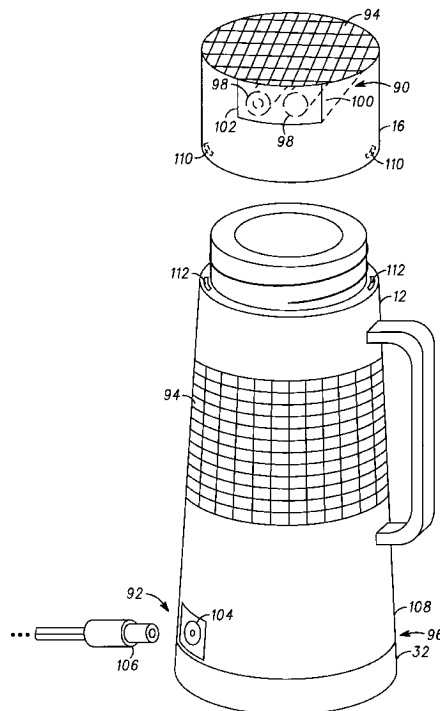
### [57] ABSTRACT

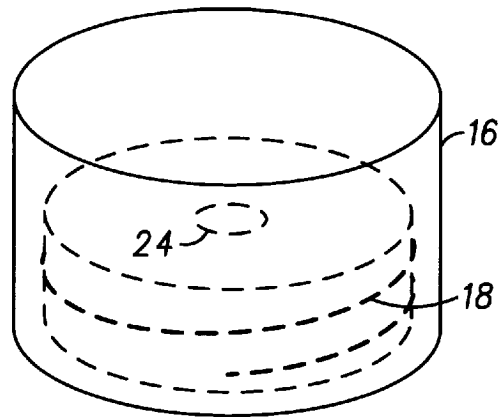
An apparatus for storing and disinfecting a fluid includes a container (12) for containing the fluid and a cap member (16). The container (12) defines an opening (14) through which the fluid is dispensed therein and is removed therefrom. The cap member (16) removably seals the opening of the container (12). An ultraviolet source (24) is mounted to the cap member (16). The ultraviolet source (24) emits ultraviolet radiation to disinfect the fluid contained in the container (12).

#### FOREIGN PATENT DOCUMENTS

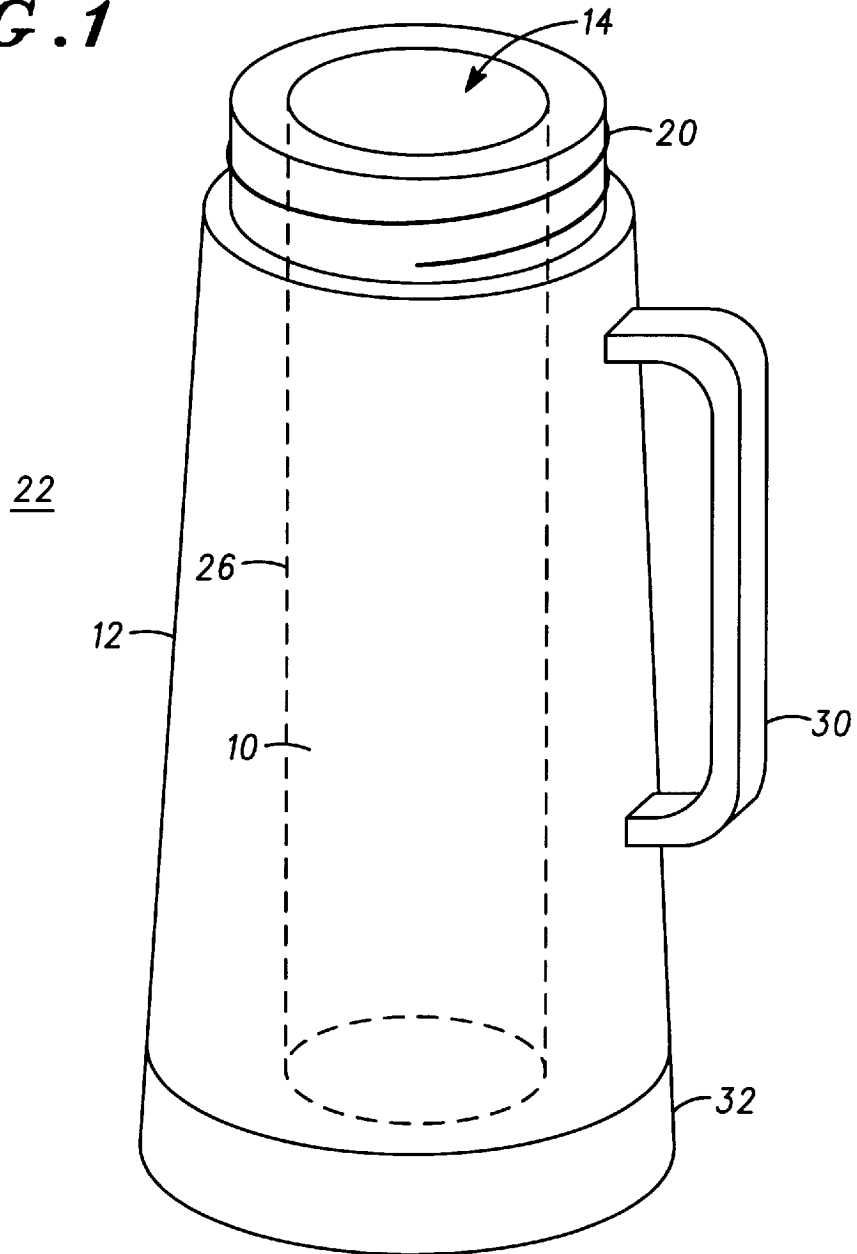
3-178396 8/1991 Japan .

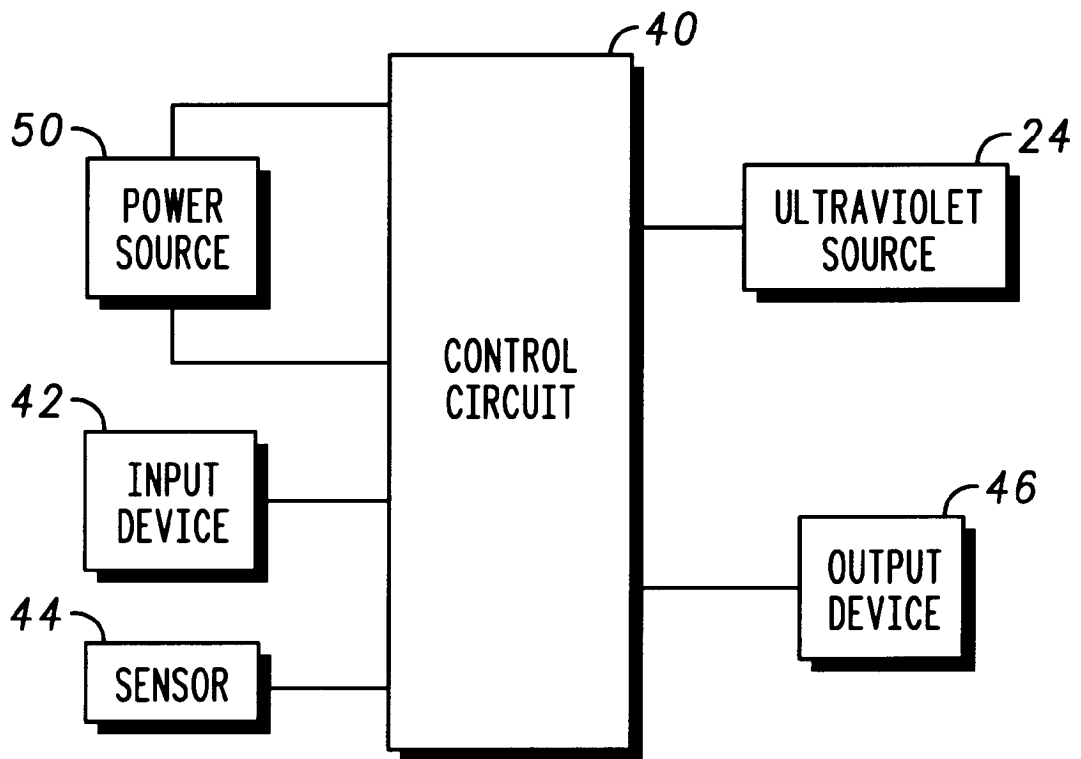
**21 Claims, 6 Drawing Sheets**



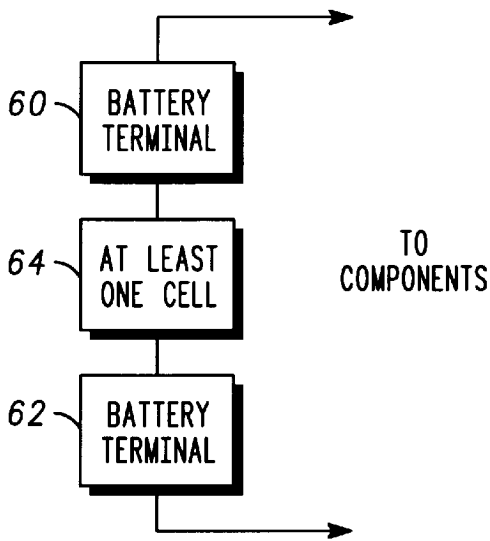


**FIG. 1**

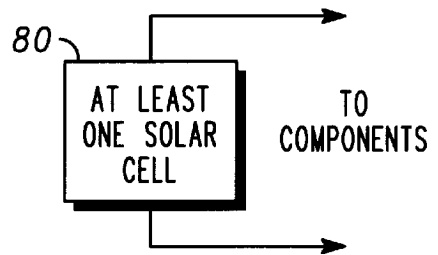




*FIG. 2*

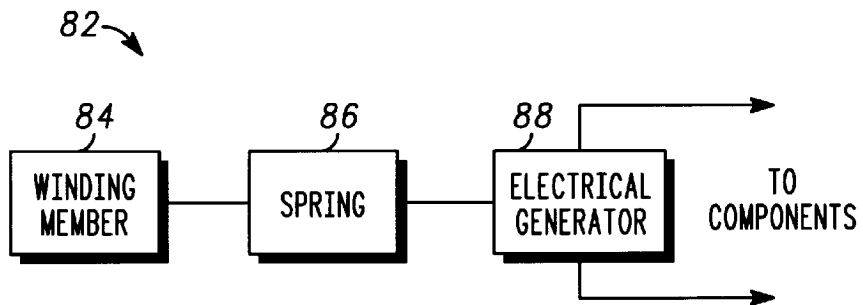
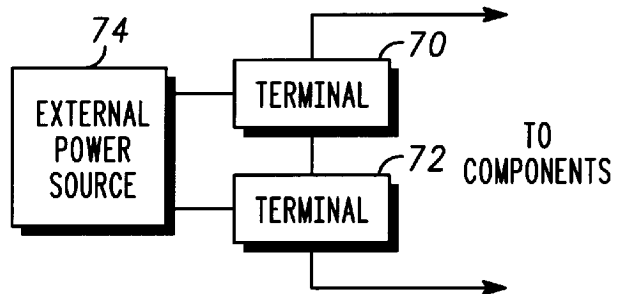


**FIG. 3**

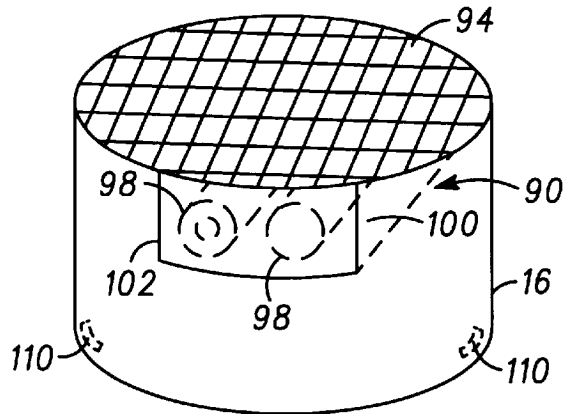


**FIG. 5**

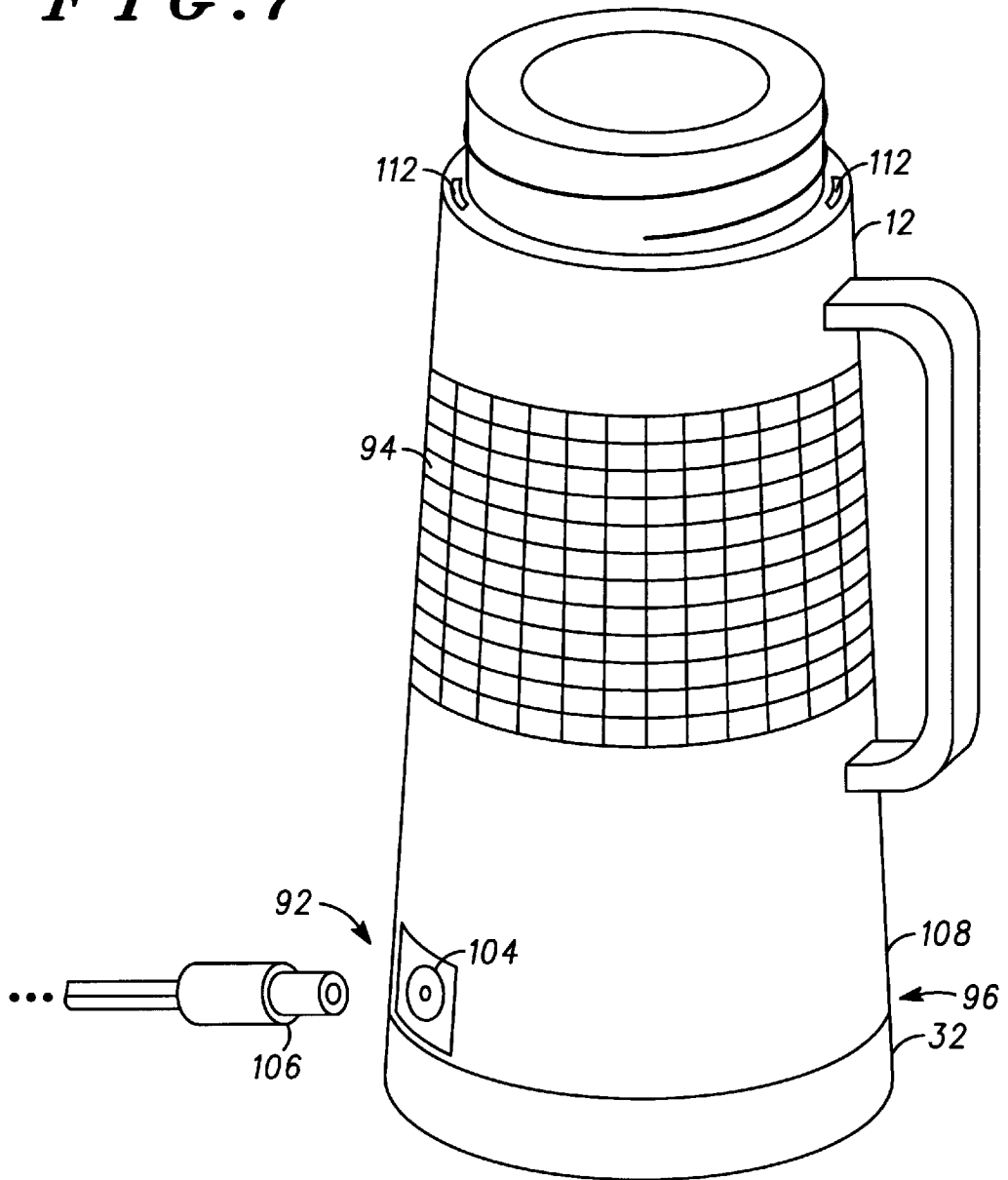
**FIG. 4**

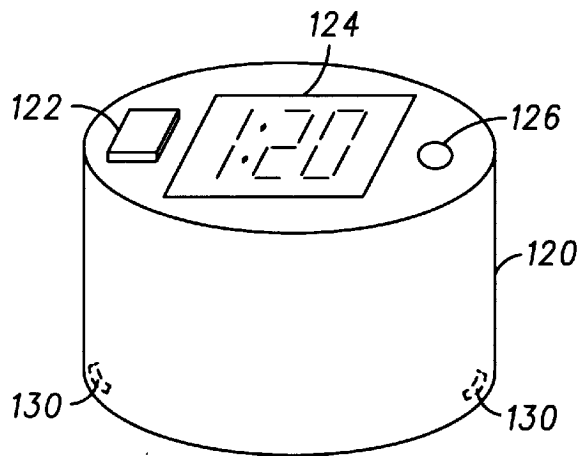


**FIG. 6**

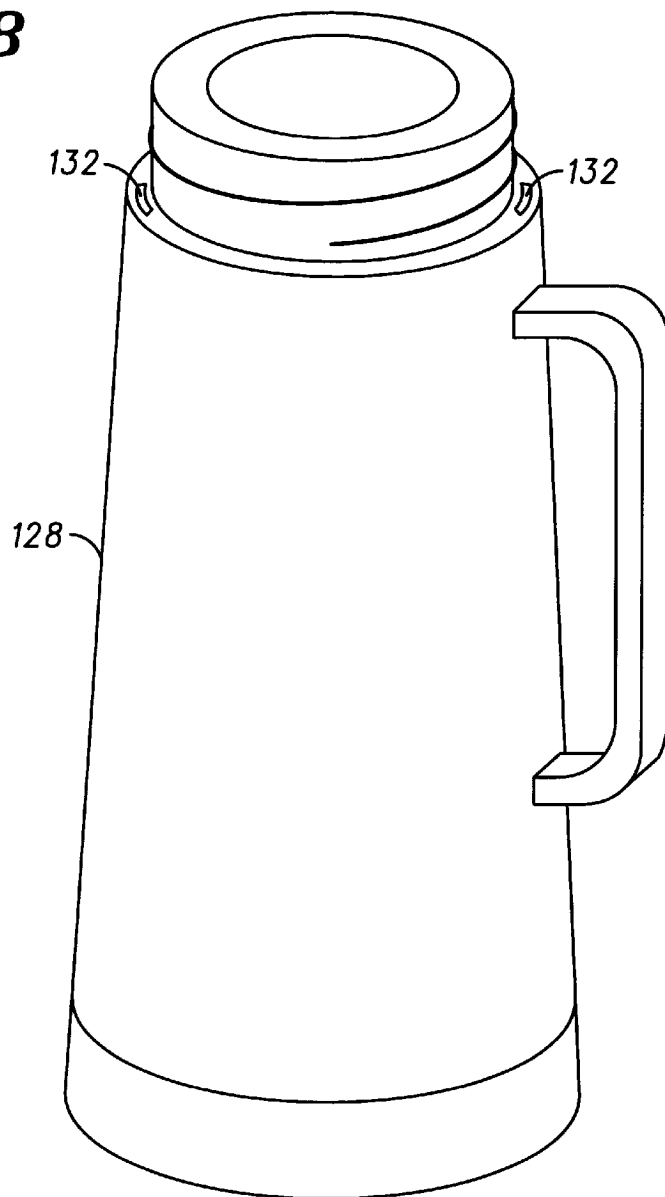


**FIG. 7**

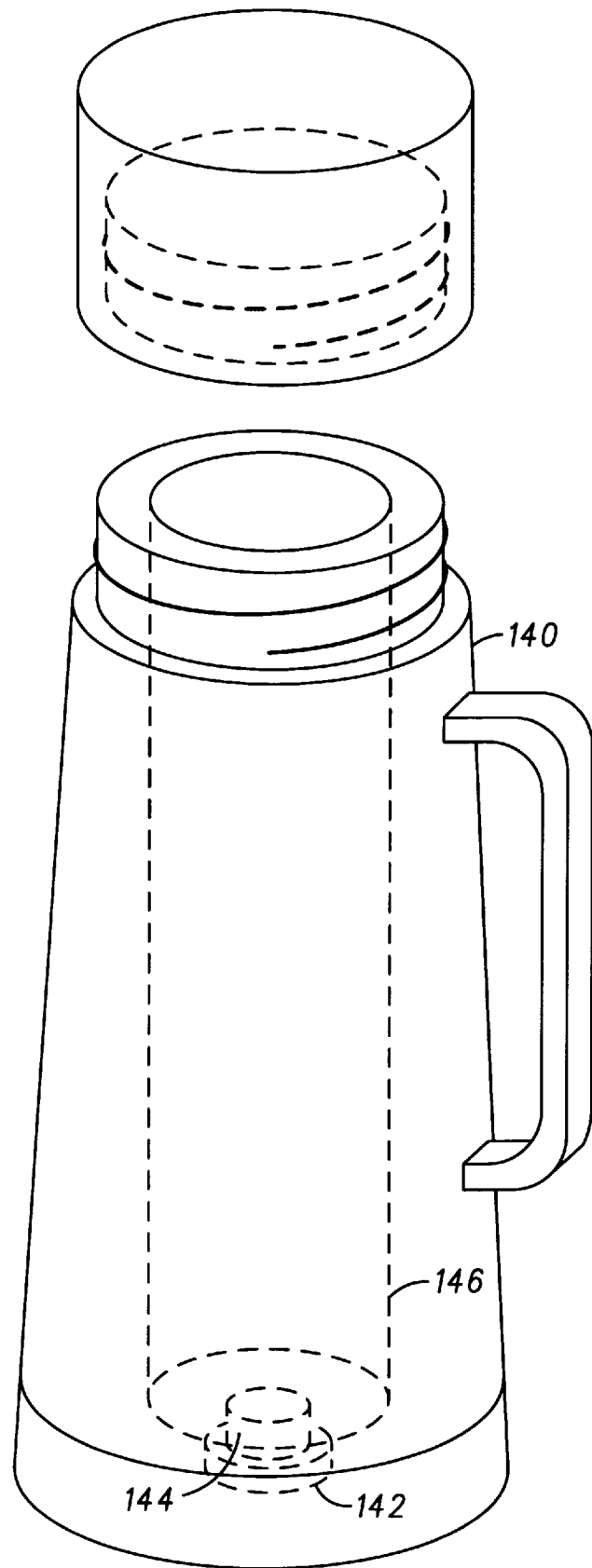




**FIG. 8**



*FIG. 9*



## APPARATUS FOR STORING AND DISINFECTING A FLUID

### RELATED APPLICATIONS

The present application is related to the following application which is assigned to the same assignee as the present application:

- (1) "Food Storage Apparatus and Methods and Systems for Monitoring a Food Item", having U.S. Ser. No. 08/770,932, filed Dec. 19, 1996, now U.S. Pat. No. 5,798,694.

The subject matter of the above-identified related application is hereby incorporated by reference into the disclosure of this application.

### FIELD OF THE INVENTION

The present invention relates to apparatus for disinfecting a fluid using ultraviolet radiation.

### BACKGROUND OF THE INVENTION

The broad field of water treatment systems includes two classes of equipment. A first class, referred to as point-of-entry equipment, treats water before distribution through a community or a building. Point-of-entry equipment typically utilizes microfiltration, chlorination, and/or ozonation technologies to remove and/or kill various contaminants in water. A second class, referred to as point-of-use equipment, treats water at a single tap in a building or the like without regard to other taps in the building. Point-of-use equipment is typically utilized to remove health contaminants (e.g. lead) and aesthetic contaminants (e.g. sulfur) before dispensing water via the tap.

The above-described water treatment systems have become increasingly popular as more individuals become aware of contaminants present in the water supply. However, these systems are limited to utilization at a specific location (e.g. at an individual's place of residence), and hence are not amenable to portable use.

### BRIEF DESCRIPTION OF THE DRAWINGS

The invention is pointed out with particularity in the appended claims. However, other features of the invention may become more apparent and the invention may be best understood by referring to the following detailed description in conjunction with the accompanying drawings in which:

FIG. 1 is a perspective view of an embodiment of an apparatus for storing and disinfecting a fluid;

FIG. 2 is a block diagram of an embodiment of an apparatus for disinfecting the fluid stored in the apparatus of FIG. 1;

FIG. 3 is a block diagram of a battery-based embodiment of the power source of FIG. 2;

FIG. 4 is a block diagram of another embodiment of the power source of FIG. 2;

FIG. 5 is a block diagram of a solar embodiment of the power source of FIG. 2;

FIG. 6 is a block diagram of a wind-up embodiment of the power source of FIG. 2;

FIG. 7 is a perspective view of an embodiment of an apparatus for storing and disinfecting a fluid having a battery source, an external source, a solar source, and a wind-up source of power;

FIG. 8 is an external view of a preferred embodiment of an apparatus for storing and disinfecting a liquid; and

FIG. 9 is a modified perspective view that illustrates an approach to sensing ultraviolet light generated within a container.

### DETAILED DESCRIPTION OF THE PREFERRED EMBODIMENT(S)

Embodiments of the present invention advantageously provide a portable apparatus having an ultraviolet source to kill biological contaminants in a fluid. The apparatus is amenable for storing, carrying, disinfecting, and dispensing of a fluid for consumption by an individual either at home or away from home. The embodiments thus provides a point-of-consumption fluid treatment apparatus, which can be utilized in conjunction with currently-available point-of-use and point-of-entry systems if desired, to treat a fluid before consumption by the individual. The portability of the apparatus is beneficial for use in disinfecting water obtained from sources away from home, such as from a public drinking fountain, a hotel, or a place of work.

FIG. 1 illustrates an embodiment of an apparatus for storing and disinfecting a fluid 10. The apparatus comprises a container 12 for containing the fluid 10. The container 12 is sized in accordance with an amount of fluid which is to be stored and disinfected. Of particular interest are embodiments of the present invention wherein the container 12 has a capacity to store and disinfect up to one to two liters of fluid.

The container 12 defines an opening 14 through which the fluid 10 is dispensed into and removed from the container 12. A cap member 16 removably seals the opening 14 of the container 12. To secure the cap member 16 to the container 12, the cap member 16 can include a threading 18 which engages with a mating threading 20 of the container 12. The threading 18 and the mating threading 20 allow manual securing and removing of the cap member 16 to/from the container 12. It is noted that other means for securing the cap member 16 to the container 12 can be utilized in alternative embodiments of the present invention.

In a preferred embodiment, the container 12 at least partially thermally insulates the fluid 10 from an exterior environment 22 when the cap member 16 is secured. The container 12 can include a vacuum bottle or the like to provide the thermal insulation. As a result, a hot fluid can be maintained at a hot temperature and a cold fluid can be maintained at a cold temperature for a given time period when stored in the container 12.

The apparatus further comprises an ultraviolet source 24 mounted to at least one of the container 12 and the cap member 16. The ultraviolet source 24 emits ultraviolet radiation to disinfect the fluid 10 contained in the container 12. The ultraviolet light acts to destroy genetic material of various types of biological contaminants (e.g. bacteria and viruses) to inhibit their reproduction. Preferably, the ultraviolet source 24 produces germicidal ultraviolet light at a wavelength of about 254 nanometers. The ultraviolet source 24 can include a mercury vapor lamp for this purpose.

In the embodiment of FIG. 1, the ultraviolet source 24 is illustrated to be mounted to the cap member 16. It is noted, however, that the ultraviolet source 24 can be alternatively mounted to a portion of the container 12.

In preferred embodiments, the ultraviolet source 24 includes an ultraviolet lamp or an ultraviolet bulb which can be powered by batteries. For example, a four-watt ultraviolet lamp powerable by four AA batteries may be utilized. In an exemplary embodiment, the ultraviolet source 24 requires less than or equal to approximately 1 Watt of power to illuminate.



To enhance the disinfection process, the container 12 has an inner surface 26 which is ultraviolet-reflecting and ultraviolet-resistant. As a result, the inner surface 26 reflects the ultraviolet radiation emitted by the ultraviolet source 24, and hence, the disinfection of the fluid 10 is intensified.

Preferably, the container 12 and the cap member 16 are sized for carrying by an individual. As a result, an individual can carry a supply of disinfected fluid, such as water, for his/her personal consumption throughout a day. To assist the individual in carrying the apparatus, the container 12 optionally includes a handle 30 for gripping by the individual. A base member 32 is located at a bottom portion of the container 12 to allow the apparatus to rest on a flat surface, such as a table top or the like, during storage and disinfection.

It is noted that embodiments of the present invention are not limited to the form of the container 12 and the cap member 16 illustrated in FIG. 1, and that various sizes, shapes, and forms of containers and cap members can be utilized.

FIG. 2 is a block diagram of an embodiment of an apparatus for disinfecting the fluid 10 stored in the container 12. In general, each of the components illustrated in FIG. 2 can be integrated into either the container 12 or the cap member 16 of FIG. 1. As a result, numerous embodiments of the present invention can be formulated based on all possible two-set partitions of the components.

The apparatus includes a control circuit 40 in communication with the ultraviolet source 24. The control circuit 40 is operative to control a disinfect cycle by selectively illuminating and attenuating or extinguishing the ultraviolet source 24. It is noted that the term "illuminating" should be construed to include both continuous illumination and pulsed illumination of the ultraviolet source 24.

The control circuit 40 can have any of a variety of forms, including digital circuit embodiments and analog circuit embodiments. For example, the control circuit 40 can include one or more discrete transistors, integrated circuits, microprocessors, application-specific integrated circuits, programmable logic arrays, and/or other integrated circuits interconnected to provide the desired logic for controlling the disinfect cycle. Regardless of its form, the control circuit 40 is integrated within at least one of the cap member 16 and the container 12.

The apparatus further includes an input device 42 in communication with the control circuit 40. The input device 42 is accessible by a user to control the disinfect cycle. Using the input device 42, the user can initiate a disinfect cycle, terminate the disinfect cycle, or modify a parameter of the disinfect cycle.

The input device 42 can have any of a variety of forms, including but not limited to one or more switches, one or more buttons, a keypad, a knob, a dial, a touchpad, a touchscreen, or any combination thereof. Regardless of its form, the input device 42 is integrated with or mounted to either the cap member 16, the container 12, or both. A preferred location for integrating the input device 42 with the container 12 is in a portion of the handle 30.

Various approaches can be utilized to control and/or define a disinfect cycle. In one approach, the control circuit 40 is operative to illuminate the ultraviolet source 24 for a predetermined time duration of the disinfect cycle. The predetermined time duration can be fixed by the control circuit 40, or can be user-adjustable via the input device 42. Using this approach, a user would typically disinfect a fluid by: (i) dispensing the fluid into the container 12 through the

opening 14; (ii) sealing the opening 14 with the cap member 16; (iii) optionally, setting the predetermined time duration using the input device 42; and (iv) initiating the disinfect cycle using the input device 42. The apparatus would then proceed to disinfect the fluid for the predetermined time duration. Once the disinfect cycle has completed, the fluid can be removed from the container 12, through the opening 14, for consumption by the user.

Another approach to controlling and/or defining a disinfect cycle utilizes a sensor 44 to sense a measure of quality of the fluid. Preferably, the sensor 44 is mounted to the inner surface 26 of the container 12, such as at the bottom of the container 12 near the base 32.

The sensor 44 communicates the measure of quality of the fluid to the control circuit 40. The control circuit 40 is operative to terminate the disinfect cycle when the measure of quality of the fluid satisfies a predetermined criterion, such as when the quality of the fluid attains a desired value. Here, a user would typically disinfect a fluid by: (i) dispensing the fluid into the container 12 through the opening 14; (ii) sealing the opening 14 with the cap member 16; (iii) optionally, setting a desired measure of water quality using the input device 42; and (iv) initiating the disinfect cycle using the input device 42. The apparatus would then proceed to disinfect the fluid until the quality of the fluid satisfies the predetermined criterion. Thereafter, the fluid can be removed from the container 12 for consumption by the user.

Regardless of the approach utilized to control the disinfect cycle, it is preferred that the apparatus include an output device 46 to provide an indication of the status of the disinfect cycle to the user. The output device 46 is integrated with or mounted to at least one of the cap member 16 and the container 12. The output device 46 can be utilized to provide an indication of an in-progress disinfect cycle, an indication of a time remaining in the disinfect cycle, an indication of the measure of quality of the fluid as sensed by the sensor 44, and/or an indication of a completed disinfect cycle.

Generally, the indication provided by the output device 46 can include an audible indication and/or a visual indication. To provide an audible indication, the output device 46 can comprise an audio output device such as a speaker, a piezoelectric buzzer, or a like transducer in communication with the control circuit 40. To provide a visual indication, the output device 46 can comprise a light-emitting diode (LED) display, a liquid crystal display (LCD), or a like display element in communication with the control circuit 40.

Preferably, the output device 46 provides a visual indication of an in-progress disinfect cycle. Here, an LED or an LCD element is activated to indicate to the user that the fluid is being disinfected. It is further preferred that the output device 46 provide a visual indication of either the time remaining in the disinfect cycle or of the sensed quality of the fluid. The time remaining or the sensed quality can be indicated numerically using LED or LCD displays, or can be indicated graphically using a bar graph type of display, for example. Once the disinfect cycle has completed, a visual indication and/or an audible indication alerts the user that the fluid is suitable for consumption.

An additional feature which can be provided by the control circuit 40 is to inhibit illumination of the ultraviolet source 24 when the cap member 16 is removed from the opening 14 of the container 12. Various techniques for sensing when the cap member 16 is removed from the container 12 can be utilized for this purpose. One approach is provided in a subsequent description herein.

A power source **50** is integrated into either the cap member **16** or the container **12** to provide a source of power for at least one of the control circuit **40**, the input device **42**, the sensor **44**, the output device **46**, and the ultraviolet source **24**. Various embodiments of the power source **50** are illustrated in FIGS. **3** to **6**.

FIG. **3** is a block diagram of a battery-based embodiment of the power source **50**. In this embodiment, the power source **50** includes at least two battery terminals **60** and **62** to couple at least one cell **64** to the components in the apparatus. Here, either the cap member **16** or the container **12** includes a battery-receiving compartment to house the at least one cell **64**. The size and shape of the battery-receiving compartment is selected based upon the type and the number of cells utilized to power the apparatus. Examples of cells which can be utilized to power the apparatus include, but are not limited to, standard AAA, AA, C, D, and 9 Volt batteries.

FIG. **4** is a block diagram of another embodiment of the power source **50**. In this embodiment, the power source **50** includes at least two terminals **70** and **72** for coupling the components to an external power source **74**. Here, for example, the power source **50** can include an externally-accessible jack for receiving a plug from an AC adapter.

FIG. **5** is a block diagram of a solar embodiment of the power source **50**. Here, the power source **50** includes at least one solar cell **80** mounted to an exterior surface of either the cap member **16**, the container **12**, or both. The at least one solar cell **80** converts light energy to electrical current to power the components in the apparatus.

FIG. **6** is a block diagram of a wind-up embodiment of the power source **50**. In this embodiment, the power source **50** includes a wind-up power source mechanism **82**, such as an adaptation of the wind-up mechanism utilized in the Free-play Wind-Up Radio produced by Baygen. The wind-up power source mechanism **82** has an externally-accessible winding member **84**, a spring **86** mechanically coupled to the winding member **84**, and an electrical generator **88** having a shaft mechanically coupled to the spring **86**. The spring **86** stores energy produced when the user winds the winding member **84**. The spring **86** releases the energy stored therein in the form of rotational energy, which is coupled to the shaft of the electrical generator **88**. The electrical generator **88** converts the rotational energy to electrical energy which can be regulated and/or stored to power the components in the apparatus.

It is noted that the power source **50** can include any combination of the above-described power sources in FIGS. **3** to **6** to provide multiple powering means for the apparatus. An external illustration of an embodiment of the apparatus having embodiments of all of the above-described power sources is given in FIG. **7**.

FIG. **7** illustrates an embodiment of an apparatus for storing and disinfecting a fluid having a battery source **90**, an external source **92**, a solar source **94**, and a wind-up source **96** of power. The battery source **90** includes a pair of batteries **98** housed in a battery-receiving compartment **100**. A panel **102** secures the batteries **98** within the battery-receiving compartment **100**. When within the battery-receiving compartment **100**, the batteries **98** contact battery terminals (not specifically illustrated) to provide power to the apparatus.

The external source **92** includes an externally-accessible jack **104** mounted to either the cap member **16** or the container **12**. The externally-accessible jack **104** receives a plug **106** from an AC adapter to provide power to the apparatus.

The solar source **94** includes a solar panel mounted to an external surface of either the cap member **16** or the container **12**.

The wind-up source **96** is preferably located near the base **32** of the container **12**. In one embodiment, the wind-up source **96** is wound by rotating a portion of the base **32** with respect to a main body **108** of the container **12**.

To interconnect components and/or power sources between the cap member **16** and the container **12**, the cap member **16** includes at least two electrical contacts **110** which contact at least two mating contacts **112** of the container **12** when the cap member **16** is secured to the container **12**. The at least two electrical contacts **110** are coupled to any of the components and/or power sources integrated with the cap member **16**, while the at least two mating contacts **112** are coupled to any of the components and/or power sources integrated with the container **12**. It is noted that other means, e.g. a wireless receiver and wireless transmitter, can be utilized so that components and/or power sources integrated with the cap member **16** can communicate with components and/or power sources integrated with the container **12**.

FIG. **8** is an external view of a preferred embodiment of an apparatus for storing and disinfecting a liquid. In this embodiment, a cap member **120** houses a control circuit (not specifically illustrated), an ultraviolet source (not specifically illustrated) responsive to the control circuit, and a battery-receiving compartment to house a battery for powering the apparatus. Integrated with an exterior surface of the cap member **120** are: a button **122** coupled to the control circuit to initiate and inhibit illumination of the ultraviolet source; a numeric display device **124** to display either an amount of time remaining in a disinfect cycle or a measure of quality of the fluid; and an audio output device **126** which produces an audible indication when the disinfect cycle has completed.

A water quality sensor (not specifically illustrated) is located within a container **128** to sense the quality of the fluid therein. A signal indicative of the quality is communicated to the control circuit in the cap member **120** via electrical contacts **130** and mating contacts **132**. The control circuit senses that the cap member **120** has been removed from the container **128** when an open circuit is sensed between the electrical contacts **130**. At this time, the control circuit inhibits illumination of the ultraviolet source.

FIG. **9** is an illustration of an approach to sensing the ultraviolet light generated within a container **140**. A plug **142** is disposed within a plug-receiving cavity defined by the container **140**. The plug **142** houses an ultraviolet-sensitive material **144** that senses an amount of ultraviolet light generated within the container **140**. Preferably, the plug **142** is located near a portion of container **140** where an inner surface **146** is transparent to ultraviolet light. In one embodiment, the ultraviolet-sensitive material **144** changes color or intensity when subjected to ultraviolet light. Here, the status of the disinfection process can be determined by removing the plug **142** and viewing the color or intensity of the ultraviolet-sensitive material **144**. Alternatively, the ultraviolet-sensitive material **144** can produce an electrical signal representative of a measure of the ultraviolet light generated within the container **140**. Here, for example, the plug **142** can include an ultraviolet-sensitive photo cell and a readout device coupled thereto to provide a reading of the ultraviolet light generated within the container **140**.

Thus, there has been described herein several embodiments including preferred embodiments of a portable fluid disinfection apparatus.

Because the various embodiments of the present invention provide a portable apparatus for disinfecting a fluid, they provide a significant benefit in allowing an individual to store, carry, disinfect, and dispense a fluid for his/her consumption.

Additionally, the various embodiments of the present invention as herein-described can include a wind-up source and/or a solar source for powering the apparatus without requiring batteries or external AC power. This further promotes the portability of the apparatus for use in hiking and camping applications.

It will be apparent to those skilled in the art that the disclosed invention may be modified in numerous ways and may assume many embodiments other than the preferred forms specifically set out and described above.

Accordingly, it is intended by the appended claims to cover all modifications of the invention which fall within the true spirit and scope of the invention.

What is claimed is:

1. An apparatus for storing and disinfecting a fluid, the apparatus comprising:

a container for containing the fluid, the container having an opening therein;

a cap member which removably seals the opening of the container;

an ultraviolet source for emitting radiation to disinfect the fluid; and

a wind-up source for powering the ultraviolet source, wherein the ultraviolet source is mounted to the cap member, and the cap member having at least two electrical contacts in electrical communication with the ultraviolet source, and the container also having two electrical contacts in electrical communication with the wind-up source, and the at least electrical contacts of the cap member respectively mate with the at least two electrical contacts of the container when the cap member is coupled to the container.

2. The apparatus of claim 1 further comprising a control circuit operative to control a disinfect cycle of the ultraviolet source.

3. The apparatus of claim 2 further comprising an output device in communication with the control circuit to provide an indication of a status of the disinfect cycle.

4. A The apparatus of claim 3 wherein the output device provides one of an indication of a time remaining in the disinfect cycle, an indication of a completed disinfect cycle, and an indication of an in-progress disinfect cycle.

5. The apparatus of claim 3 wherein the indication includes one of an audible indication and a visual indication.

6. The apparatus of claim 2 wherein the control circuit is operative to inhibit illumination of the ultraviolet source when the cap is removed from the container.

7. The apparatus of claim 2 wherein the control circuit is operative to illuminate the ultraviolet source for a predetermined time duration.

8. The apparatus of claim 2 further comprising a sensor coupled to the container to sense a measure of quality of the fluid.

9. The apparatus of claim 1 wherein the container is sized for carrying by an individual and wherein the ultraviolet source emits ultraviolet radiation to disinfect the fluid contained in the container.

10. The apparatus of claim 1 wherein the fluid is received by and dispensed from the container via the opening.

11. The apparatus of claim 1 wherein the container at least partially thermally insulates the fluid from an exterior environment.

12. The apparatus of claim 1 wherein the container has an inner surface which is ultraviolet-reflecting.

13. The apparatus of claim 1 wherein the container has a body and a base, and wherein the base is rotatable with respect to the body to wind the wind-up source.

14. The apparatus of claim 1 wherein the container has a capacity less than or equal to 2 liters.

15. The apparatus of claim 1 further comprising:

a plug disposed within a plug-receiving cavity defined by the container, the plug housing an ultraviolet-sensitive material which visibly changes when subjected to ultraviolet radiation.

16. An apparatus for containing and disinfecting a fluid, the apparatus comprising:

a container for containing the fluid, the container having an opening therein, the container defining a plug-receiving cavity;

a cap member which removably seals the opening of the container;

an ultraviolet source for emitting radiation to disinfect the fluid; and

a plug disposed within the plug-receiving cavity defined by the container, the plug housing an ultraviolet-sensitive material which visibly changes when subjected to ultraviolet radiation and a wind-up source for powering the ultraviolet source, is located at the base of the container and is wound by rotating the base of the container with respect to the body of the container, wherein the ultraviolet source is mounted to the cap member, and the cap member having at least two electrical contacts in electrical communication with the ultraviolet source, and the container also having two electrical contacts in electrical communication with the wind-up source, and the at least electrical contacts of the cap member respectively mate with the at least two electrical contacts of the container when the cap member is coupled to the container.

17. The apparatus of claim 16 wherein the ultraviolet-sensitive material is externally viewable by removing the plug from the plug-receiving cavity.

18. An apparatus for storing and disinfecting a fluid, the apparatus comprising:

a container sized for carrying by an individual, the container for holding fluid to be disinfected and at least partially thermally-insulating the fluid from an external environment, the container having an ultraviolet-reflecting inner surface, a body, and a base which is rotatable with respect to the body, the container having at least two electrical contacts;

a cap member detachably coupled to the container, the cap member having at least two electrical contacts which respectively mate with the at least two electrical contacts of the container when the cap member is coupled to the container;

an ultraviolet source for emitting radiation to disinfect the fluid mounted to the cap member and in electrical communication with the at least two electrical contacts of the cap member;

a control circuit integrated with at least one of the cap member and the container, the control circuit operative

9

to control the ultraviolet source to disinfect fluid in the container during a disinfect cycle;

an output device mounted to at least one of the cap member and the container, the output device in communication with the control circuit to provide an indication of a status of the disinfect cycle; and

a wind-up source for powering the ultraviolet source and the control circuit, the wind-up source in electrical communication with the at least two electrical contacts of the container, the wind-up source located at the base of the container, wherein the wind-up source is wound by rotating the base of the container with respect to the body of the container.

19. The apparatus of claim 18 wherein the control circuit is operative to illuminate the ultraviolet source for a prede-

10

termined time duration in the disinfect cycle, and wherein the output device provides an indication of a time remaining in the disinfect cycle.

20. The apparatus of claim 18 further comprising a sensor to sense a measure of quality of the fluid, the sensor mounted to the inner surface of the container, the sensor in communication with the control circuit to terminate the disinfect cycle when the measure of quality of the fluid attains a predetermined criterion.

21. The apparatus of claim 19 wherein the container has a capacity less than or equal to 2 liters.

\* \* \* \* \*